

SMARTFLOW[®]

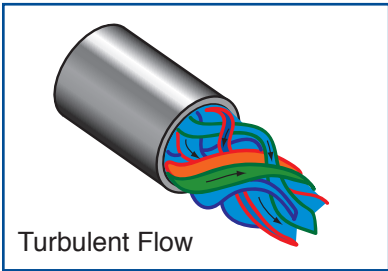
MANIFOLDS CATALOG

- **ALUMINUM**
- **STAINLESS STEEL**
- **DUOFLOW ALUMINUM**
- **HIGH PRESSURE AND TEMPERATURE STAINLESS STEEL**
- **CUSTOM ASSEMBLY SPECIFICATIONS**



3D CAD Data is available on demand

ManifoldBuilder.com

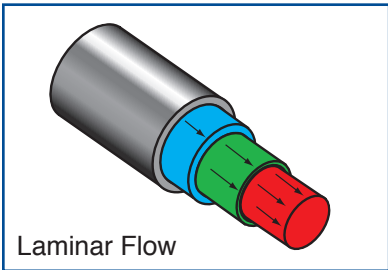


Turbulent Flow Basics

Turbulent water flow is much more efficient at removing heat in a cooling system than water flowing under laminar conditions. Once turbulent flow is achieved, increasing the flow rate does not significantly improve the cooling rate of the system.

In molding applications, many mold operators try to maximize the flow of water through their cooling systems to ensure turbulent flow. Doing so increases energy costs for pumping more water than necessary through the system. This practice may also limit the amount of cooling water available for cooling additional molds on the same cooling system circuit.

By insuring turbulent flow using FCI (Fluid Characteristic Indication) Technology, less water can be used in the molding process, saving precious resources.



Try our on-line Turbulent Flow Calculator:

www.SMARTFLOW-USA.com/turbulent-flow-rate-calculator

Turbulent Flow Reference Charts

Approximate Minimum Flow required for turbulence in drilled water passages based on Reynolds Number of 4000

Passage Diameter	Nominal Pipe Size	Minimum Flow in GPM by Temperature			Passage Diameter	Nominal Pipe Size	Minimum Flow in LPM by Temperature		
		40°F	120°F	200°F			4°C	49°C	93°C
.44"	1/4"	0.88	0.31	0.18	11mm	1/4"	3.3	1.2	0.7
.59"	3/8"	1.16	0.42	0.24	15mm	3/8"	4.4	1.6	0.9
.72"	1/2"	1.41	0.51	0.29	18mm	1/2"	5.3	1.9	1.0

Expected Rates of Flow

60°F (15°C) Water through Schedule 40 Pipe

Nominal Pipe Size	Flow Rate	
	Gallons per Minute	Liters per Minute
1/4"	3	11
3/8"	6	23
1/2"	10	38
3/4"	15	57
1"	25	95
1-1/4"	45	171
1-1/2"	60	228
2"	100	380
3"	230	870

Sizing Up Manifolds

The best manifold design provides as much water flowing through all ports as flowing through the end.

of Ports x Flow Rate ≤ Flow Rate of the Manifold End

Using the tables on this page, it is possible to choose a well-balanced manifold. If you are pushing 4 gallons per minute through your ports, you will need 3/8" minimum port size. If you have 6 cooling circuits to feed, you need 24 gallons per minute (6 ports x 4 GPM) flowing into your manifold from a 1" connection on the end.

However, if you are optimizing water using flow regulators to balance each circuit while providing Turbulent Flow, you can supply more ports with a 1" manifold. Thereby saving cooling capacity for other presses down the line. We recommend a 2x safety factor when figuring Turbulent Flow Rate.

Burger & Brown Engineering recommends that flow regulators are installed on the return side of a cooling water loop for best performance.

www.SMARTFLOW-USA.com/turbulent-flow-rate-calculator

SMARTFLOW[®] Aluminum Manifolds

General Description

Smartflow[®] aluminum manifolds are constructed from unique extruded material, precision machined, then anodized for corrosion protection. Many manifold sizes are stocked, however custom manifolds can be made to your specifications.

Standard red and blue colors denote supply and return for cooling water lines. 3/4", 1", and 1 1/2" manifolds are equipped with dovetail locking channels, pre-drilled mounting holes, and bolts for ease in pairing and installation. Each manifold with NPT threads includes one bronze end plug.

Features and Benefits

- ◆ **One-Piece Extruded Aluminum Construction** is lightweight with long-lasting durability.
- ◆ **Quality Anodizing** protects the manifolds from corrosion and signifies manifold function.
- ◆ **Different Port Size Options** provide connection flexibility.
- ◆ **Bronze End Plug** is included for customer convenience (NPT only).
- ◆ **Pre-Drilled Mounting Holes** make the manifolds ready to install.
- ◆ **3/4 thru 1-1/2 manifolds dovetail together** for ease in mounting.
- ◆ **Common Manifold Configurations Stocked** to provide quick delivery.

Specifications

MaterialAluminum (6000 Series)
Max. Pressure150 psi (10 bar)
Max. Temperature300°F (149°C)
AnodizingMil Spec Type II Class 2
Standard ColorsRed, Blue
Optional ColorsBlack, Green, Gold, Clear

Assembly

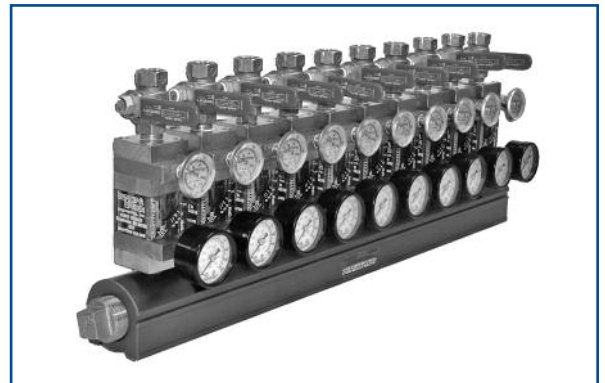
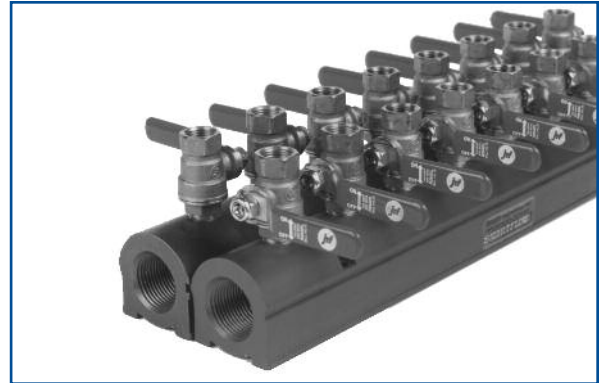
Smartflow[®] aluminum manifolds are the platform for control of cooling water lines in most types of industrial process cooling. Injection molding is one example and our particular area of expertise. Flowmeters, Flow Regulators, Ball Valves, Quick Disconnect Fittings and more can be added to the manifolds to improve functionality and process control. See page 12 for ordering information.

Custom Manifolds

Special port sizes and locations are possible with Smartflow aluminum manifolds. All fabrication is done from extruded material at our factory in Kansas City. Contact your distributor for price and delivery on custom manifolds.

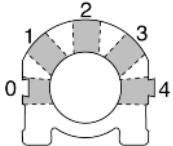
3D CAD Data is available on demand at
www.MANIFOLDBUILDER.com

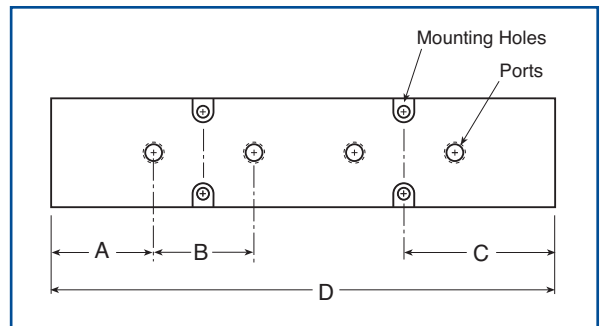
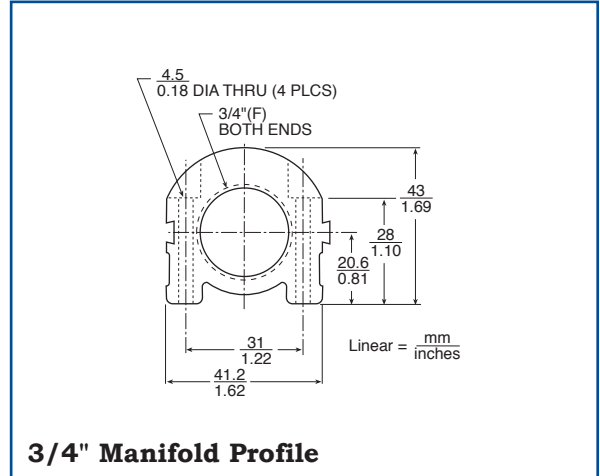
ManifoldBuilder



SMARTFLOW® 3/4" Aluminum Manifolds

Model Number (manifold only, see page 12 to add port valves, quick connects and flowmeters)

	6SA	-	8	-	3	-	2	-	Y	
Supply Threads	6SA NPT 6BSA British Parallel 6TSA British Taper								Y Red Z Blue	
Number of Ports			4 to 16						Port Locations	
Port Sizes									0 Left Side 1 Left 45° 2 Center 3 Right 45° 4 Right Side	
	1/4"NPT 1/4"BSPP 1/4"BSPT 3/8"NPT 3/8"BSPP 3/8"BSPT		2 2B 2T 3 3B 3T							



Stocked 3/4" Manifolds										
Number of Ports	1/4" Ports A = 38.1mm/1.5", B = 38.1mm/1.5" C = 57.2mm/2.25"					3/8" Ports A = 38.1mm/1.5", B = 50.8mm/2.0" C = 63.5mm/2.5"				
	model number	length (D) mm	in.	weight each kg	lbs.	model number	length (D) mm	in.	weight each kg	lbs.
4	6SA- 4-2-2	190	7.5	0.5	1.1	6SA- 4-3-2	229	9	0.6	1.4
6	6SA- 6-2-2	267	10.5	0.7	1.6	6SA- 6-3-2	330	13	0.9	2.0
8	6SA- 8-2-2	343	13.5	0.9	2.0	6SA- 8-3-2	432	17	1.2	2.6

Contact your distributor for custom manifolds.

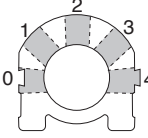
Design and specifications are subject to change without notice. See page 19 for manifold testing and use.

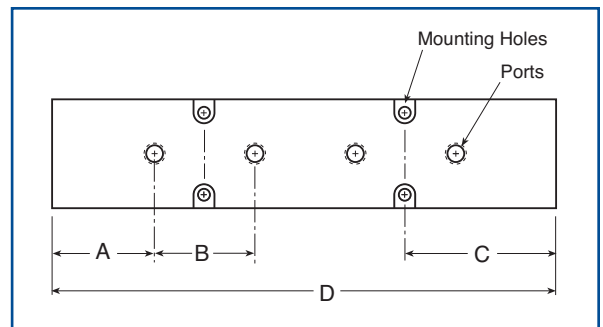
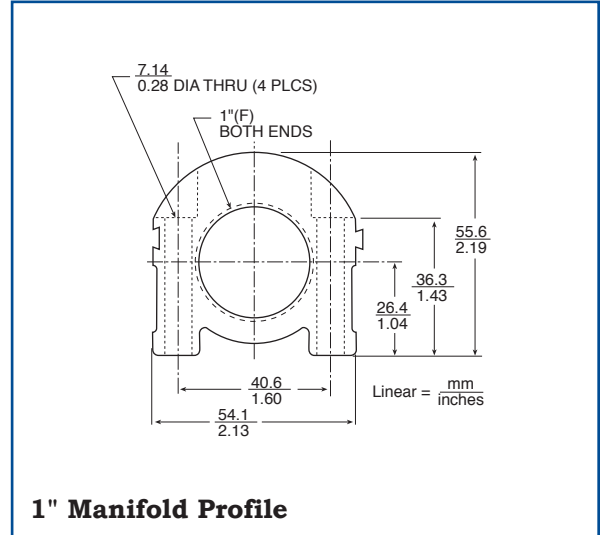
Galvanic corrosion may occur in anodized aluminum components when installed in electrical connection with more noble metals such as copper. Use appropriate installation practices.

SMARTFLOW[®] 1" Aluminum Manifolds

Model Number (manifold only, see page 12 to add port valves, quick connects and flowmeters)

8SA - 16 - 2 - 2 - Y

Supply Threads	8SA	4 to 16	Y	Color
	8BSA 8TSA			
NPT British Parallel British Taper				
Number of Ports				
Port Sizes				
1/4"NPT	2	Port Locations 0 Left Side 1 Left 45° 2 Center 3 Right 45° 4 Right Side		
1/4"BSPP	2B			
1/4"BSPT	2T			
3/8"NPT	3			
3/8"BSPP	3B			
3/8"BSPT	3T			
1/2"NPT	4			
1/2"BSPP	4B			
1/2"BSPT	4T			



Stocked 1" Manifolds										
Number of Ports	1/4" Ports A = 38.1mm/1.5", B = 38.1mm/1.5" C = 57.2mm/2.25"					3/8" Ports A = 38.1mm/1.5", B = 50.8mm/2.0" C = 63.5mm/2.5"				
	model number	length (D)		weight each		model number	length (D)		weight each	
		mm	in.	kg	lbs.		mm	in.	kg	lbs.
4	8SA- 4-2-2	190	7.5	0.9	2.0	8SA- 4-3-2	229	9	1.1	2.4
6	8SA- 6-2-2	267	10.5	1.3	2.8	8SA- 6-3-2	330	13	1.6	3.5
8	8SA- 8-2-2	343	13.5	1.6	3.6	8SA- 8-3-2	432	17	2.1	4.6
10	8SA-10-2-2	419	16.5	2.0	4.5	8SA-10-3-2	533	21	2.6	5.7
12	8SA-12-2-2	495	19.5	2.4	5.3	8SA-12-3-2	635	25	3.1	6.8
16	8SA-16-2-2	648	25.5	3.1	6.9	8SA-16-3-2	838	33	4.0	8.9

Contact your distributor for custom manifolds.

Design and specifications are subject to change without notice. See page 19 for manifold testing and use.

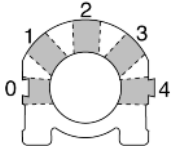
Galvanic corrosion may occur in anodized aluminum components when installed in electrical connection with more noble metals such as copper. Use appropriate installation practices.

SMARTFLOW® 1-1/2" Aluminum Manifolds

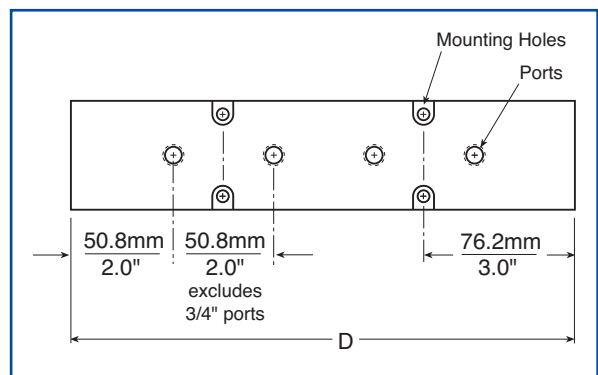
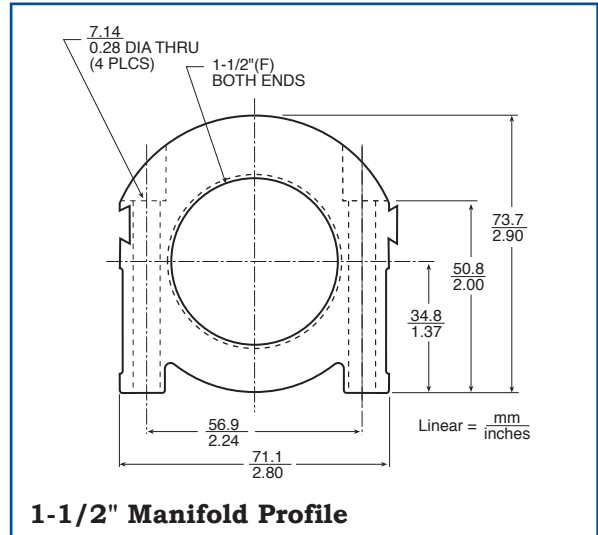
Model Number (manifold only, see page 12 to add port valves, quick connects and flowmeters)

12SA - 16 - 4 - 2 - Y

Supply Threads	12SA NPT	16	4	2	Y	Color
	12BSA British Parallel					Red
	12TSA British Taper					Blue
Number of Ports		4 to 16				
Port Locations			0	1	2	3
			Left Side	Left 45°	Center	Right 45°
			4			
			Right Side			
Port Sizes			3	3B	3T	
			3/8"NPT	3/8"BSPP	3/8"BSPT	
			4	4B	4T	
			1/2"NPT	1/2"BSPP	1/2"BSPT	
			6	6B	6T	
			*3/4"NPT	*3/4"BSPP	*3/4"BSPT	



*76.2mm/3" port center spacing



Stocked 1-1/2" Manifolds					
Number of Ports	1/2" Ports				
	model number	length (D) mm in.	weight each kg lbs.		
4	12SA- 4-4-2	254 10	2.0	4.4	
6	12SA- 6-4-2	356 14	2.8	6.2	
8	12SA- 8-4-2	457 18	3.6	7.9	
10	12SA-10-4-2	559 22	4.4	9.7	
12	12SA-12-4-2	660 26	5.1	11.4	
16	12SA-16-4-2	864 34	6.7	15.0	

Contact your distributor for custom manifolds.

Design and specifications are subject to change without notice. See page 19 for manifold testing and use.

Galvanic corrosion may occur in anodized aluminum components when installed in electrical connection with more noble metals such as copper. Use appropriate installation practices.

SMARTFLOW[®] 2" Aluminum Manifolds

Model Number (manifold only, see page 12 to add port valves, quick connects and flowmeters)

16SA - 16 - 4 - 2 - Y

Supply Threads

NPT **16SA**

British Parallel **16BSA**

British Taper **16TSA**

Color

Y Red

Z Blue

Port Sizes

4 1/2" NPT

4B 1/2" BSPP

4T 1/2" BSPT

6 *3/4" NPT

6B *3/4" BSPP

6T *3/4" BSPT

8 *1" NPT

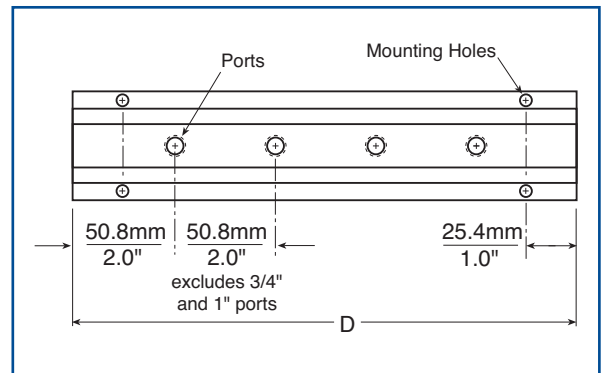
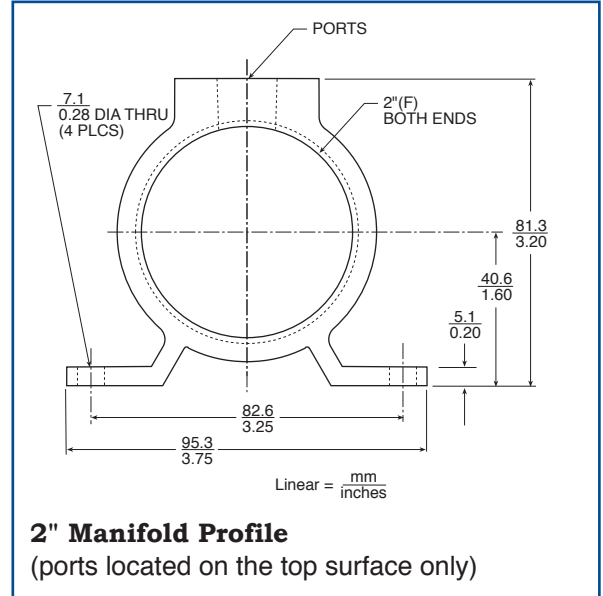
8B *1" BSPP

8T *1" BSPT

Total Number of Ports

4 to 16

*76.2mm/3" port center spacing



Stocked 2" Manifolds

Number of Ports	1/2" Ports				
	model number	length (D)	weight each		
		mm	in.	kg	lbs.
4	16SA- 4-4-2	254	10	1.3	2.9
6	16SA- 6-4-2	356	14	1.8	4.1
8	16SA- 8-4-2	457	18	2.4	5.2
12	16SA-12-4-2	660	26	3.4	7.5
16	16SA-16-4-2	864	34	4.5	9.9

Contact your distributor for custom manifolds.

Design and specifications are subject to change without notice. See page 19 for manifold testing and use.

Galvanic corrosion may occur in anodized aluminum components when installed in electrical connection with more noble metals such as copper. Use appropriate installation practices.

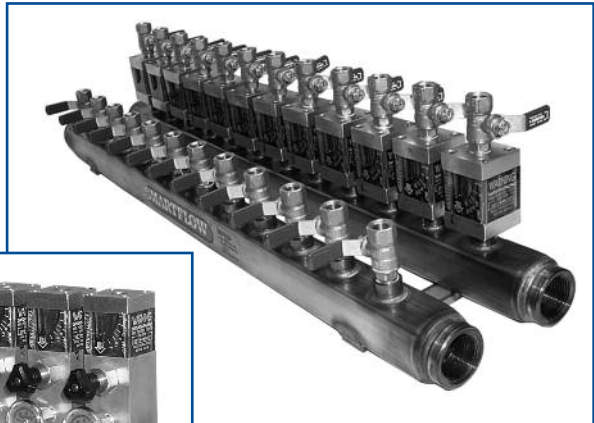
SMARTFLOW® Aluminum and Stainless Steel Manifold Assemblies

Assembly Specification

The Smartflow® manifold line is the platform to control and direct cooling water in many types of industrial process cooling. Flowmeters, Flow Regulators, Ball Valves, Quick Disconnect Fittings and more can be added to manifolds to improve functionality and process control. Individual cooling lines can be accurately controlled according to the demands of each circuit.

Parallel Stainless Steel Manifold Assemblies are built with flowmeters on one half of the manifold pair only. Contact the factory if alternate configuration is needed

Burger & Brown Engineering recommends placing flowmeters and regulators on the return side of the cooling loop for best performance.



Model Number

Manifold P/N	8SA - 8 - 3 - 2 - Y	-	F3-A-80	-	B3Q3	-	R
	Aluminum or Stainless Steel Manifold Model Number from Pages 4 - 11						Function R Return fluid flow entering the manifold (default) S Supply fluid flow exiting the manifold
	*Flowmeter/Regulator installed on each port of the manifold No additional flowmeter/regulator Mechanical Flowmeter Brass Flow Regulator Delta-Q Precision Flow Regulator Tracer Electronic Flowmeter Tracer® _{VM} Electronic Flowmeter		NA F FR F-Q DD VM		Connection Type Brass Valves and Fittings NA No additional valve or fitting B2 Ball Valve 1/4"NPT B3 Ball Valve 3/8"NPT B4 Ball Valve 1/2"NPT H2 Hose Barb 1/4"ID hose H3 Hose Barb 3/8"ID hose H4 Hose Barb 1/2"ID hose Q2 Quick Connect Plug 1/4"ID (200 Series) Q3 Quick Connect Plug 3/8"ID (300 Series) Q4 Quick Connect Plug 1/2"ID (500 Series)		
	*Consult Flowmeter Catalog Form #189 and Catalog Form #190						

ManifoldBuilder

On-Line Part Number Specification Assistance

3D Native CAD files for manifolds and assemblies are available for download 24/7 at www.manifoldbuilder.com