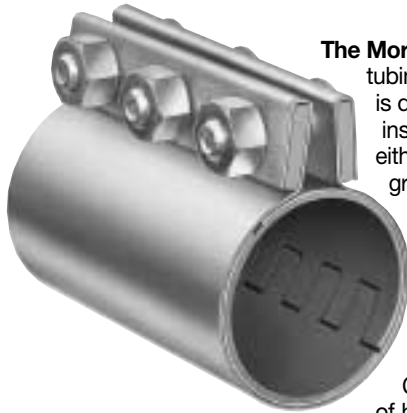


# Compression Couplings For Tubing And Pipe

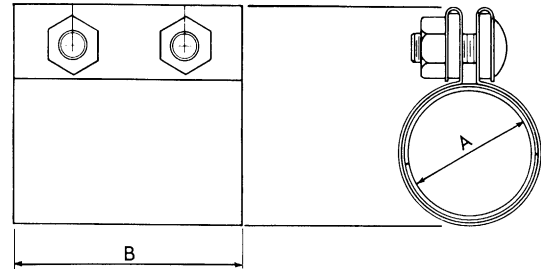


**The Morris Compression** tubing and pipe coupling is designed for permanent installation in the joining of either plain end, threaded, grooved or a combination of any of these joints. The band type construction holds the entire surface of the joint in uniform compression.

Couplings are made of heavy-gauge zinc-plated

steel...prices of aluminum or stainless-steel couplings quoted on request.

Gaskets furnished standard in red rubber or black neoprene...please specify. Gaskets also available in white neoprene and a variety of other materials at a slight extra charge.



## Condensed Table Of Specifications

SIZE	Thickness		
	Shell	Sleeve	Gasket
1/2" - 2-7/8" OD	.052	.052	.062
3" OD	.052	.052	.093
3-1/4" - 5" OD	.062	.052	.093
5-1/4" - 8-5/8" OD	.062	.052	.125
9" - 24" OD	.062	.062	.125

Tubing or Nom. Pipe (IPS) Size	O.D. Tubing Pipe (A)	Morris Coupling Code	Coupling Length (B)	No. of Bolts	Size of Bolts	Weight Each (lbs.)	BLACK Gasket*	WHITE Gasket*
							PIC No.	PIC No.
1/2" Pipe	.840	1/2-2C	2"	2	5/16 x 1-1/4	.5	0100842B2	0100842W2
3/4" Pipe	1.050	3/4-2C	2"	2	5/16 x 1-1/4	.7	0101052B2	0101052W2
1" Tubing	1.000	1-2C-OD	2"	2	5/16 x 1-1/4	1.6	0101002B2	0101002W2
1" Pipe	1.315	1-2C	4"	2	1/2 x 1-3/4	1.6	0101312B2	0101312W2
1-1/4" Tubing	1.250	1-1/4-2C-OD	4"	2	1/2 x 1-3/4	1.9	0101252B2	0101252W2
1-1/4" Pipe	1.660	1-1/4-2C	4"	2	1/2 x 1-3/4	1.8	0101662B2	0101662W2
	1.660	1-1/4-3C	6"	3	1/2 x 1-3/4	3.0	0101663B2	0101663W2
1-1/2" Tubing	1.500	1-1/2-2C-OD	4"	2	1/2 x 1-3/4	2.0	0101502B2FG	0101502W2FG
	1.500	1-1/2-3C-OD	6"	3	1/2 x 1-3/4	2.9	0101503B2FG	0101503W2FG
1-1/2" Pipe	1.900	1-1/2-2C	4"	2	1/2 x 1-3/4	2.0	0101902B2	0101902W2
	1.900	1-1/2-3C	6"	3	1/2 x 1-3/4	3.1	0101903B2	0101903W2
1-3/4" Tubing	1.750	1-3/4-2C-OD	4"	2	1/2 x 1-3/4	2.1	0101752B2FG	0101752W2FG
	1.750	1-3/4-3C-OD	6"	3	1/2 x 1-3/4	3.0	0101753B2FG	0101753W2FG
2" Tubing	2.000	2-2C-OD	4"	2	1/2 x 1-3/4	2.1	0102002B2FG	0102002W2FG
	2.000	2-3C-OD	6"	3	1/2 x 1-3/4	3.1	0102003B2FG	0102003W2FG
2" Pipe	2.375	2-2C	4"	2	1/2 x 1-3/4	2.2	0102372B2FG	0102372W2
	2.375	2-3C	6"	3	1/2 x 1-3/4	3.5	0102373B2FG	0102373W2FG
	2.375	2-4C	8"	4	1/2 x 1-3/4	4.7	0102374B2	0102374W2
2-1/8" Tubing	2.125	2-1/8-2C-OD	4"	2	1/2 x 1-3/4	2.1	0102122B2	0102122W2
	2.125	2-1/8-3C-OD	6"	3	1/2 x 1-3/4	3.2	0102123B2FG	0102123W2FG
2-3/16" Tubing	2.187	2-3/16-2C-OD	4"	2	1/2 x 1-3/4	2.2	0102182B2FG	0102182W2FG
	2.187	2-3/16-3C-OD	6"	3	1/2 x 1-3/4	3.3	0102183B2FG	0102183W2
2-1/4" Tubing	2.250	2-1/4-2C-OD	4"	2	1/2 x 1-3/4	2.2	0102252B2	0102252W2
	2.250	2-1/4-3C-OD	6"	3	1/2 x 1-3/4	3.3	0102253B2FG	0102253W2FG
2-1/2" Tubing	2.500	2-1/2-2C-OD	4"	2	1/2 x 1-3/4	2.6	0102502B2FG	0102502W2FG
	2.500	2-1/2-3C-OD	6"	3	1/2 x 1-3/4	3.4	0102503B2FG	0102503W2FG
2-1/2" Pipe	2.875	2-1/2-2C	4"	2	1/2 x 1-3/4	2.4	0102872B2	0102872W2
	2.875	2-1/2-3C	6"	3	1/2 x 1-3/4	3.7	0102873B2	0102873W2
	2.875	2-1/2-4C	8"	4	1/2 x 1-3/4	5.0	0102874B2	0102874W2
2-3/4" Tubing	2.750	2-3/4-3C-OD	6"	3	1/2 x 1-3/4	3.6	0102753B2	0102753W2
3" Tubing	3.000	3-2C-OD	4"	2	5/8 x 2	3.2	0103002B2FG	0103002W2FG
	3.000	3-3C-OD	6"	3	5/8 x 2	4.5	0103003B2FG	0103003W2FG
	3.000	3-4C-OD	8"	4	5/8 x 2	5.9	0103004B2FG	0103004W2
3" Pipe	3.500	3-2C	4"	2	5/8 x 2	3.4	0103502B2FG	0103502W2
	3.500	3-3C	6"	3	5/8 x 2	5.1	0103503B2FG	0103503W2FG
	3.500	3-4C	8"	4	5/8 x 2	6.6	0103504B2FG	0103504W2FG
3-1/4" Tubing	3.250	3-1/4-2C-OD	4"	2	5/8 x 2	3.5	0103252B2	0103252W2
	3.250	3-1/4-3C-OD	6"	3	5/8 x 2	5.0	0103253B2	0103253W2
	3.250	3-1/4-4C-OD	8"	4	5/8 x 2	6.5	0103254B2	0103254W2
3-1/2" Tubing	3.500	3-2C	4"	2	5/8 x 2	3.4	0103502B2FG	0103502W2
	3.500	3-3C	6"	3	5/8 x 2	5.1	0103503B2FG	0103503W2FG
	3.500	3-4C	8"	4	5/8 x 2	6.6	0103504B2FG	0103504W2FG

• WHEN ORDERING, always give the Code No. and O.D. of the pipe or tube on which coupling will be used.

(1) Stainless steel grounding strips are standard on all couplings. Aluminum grounding strips or couplings without grounding strips available at same price.

\*Neoprene

NOTE: When ordering GASKETS ONLY, please refer to page 6.

For Prices and Delivery

Call Toll Free: 1-800-426-1579

Toll-Free Fax: 1-800-545-1399

E-mail: sales@morriscoupling.com

internet: www.morriscoupling.com



2240 W. 15th St., Erie, PA 16505  
Phone: 814-459-1741

# Compression Couplings For Tubing And Pipe *continued*



**To Prevent Static Electricity Build-up** in Bulk Material Conveying Systems, specify Morris Compression Couplings with grounding strips. Be sure to state if your requirements call for aluminum or stainless steel strips. Stainless steel grounding strips are standard, aluminum grounding strips or couplings without grounding strips are available at the same price.

**To Eliminate Gasket Wear**, or contamination of material flowing through the system lines, specify Couplings with Stainless Steel GASKET PROTECTORS.

Tubing or Nom. Pipe (IPS) Size	O.D. Tubing Pipe (A)	Morris Coupling Code	Coupling Length (B)	No. of Bolts	Size of Bolts	Weight Each (lbs.)	BLACK Gasket*	WHITE Gasket*
							PIC No.	PIC No.
3-1/2" PIPE	4.000	3-1/2-2C	4"	2	5/8 x 2	3.7	0104002B2FG	0104002W2
	4.000	3-1/2-3C	6"	3	5/8 x 2	5.3	0104003B2FG	0104003W2FG
	4.000	3-1/2-4C	8"	4	5/8 x 2	7.2	0104004B2FG	0104004W2FG
3-3/4" TUBING	3.750	3-3/4-3C-OD	6"	3	5/8 x 2	5.6	0103753B2	0103753W2
	3.750	3-3/4-4C-OD	8"	4	5/8 x 2	7.4	0103754B2	0103754W2
4" TUBING	4.000	3-1/2-2C	4"	2	5/8 x 2	3.7	0104002B2FG	0104002W2
	4.000	3-1/2-3C	6"	3	5/8 x 2	5.3	0104003B2FG	0104003W2FG
	4.000	3-1/2-4C	8"	4	5/8 x 2	7.2	0104004B2FG	0104004W2FG
4" PIPE	4.500	4-2C	4"	2	5/8 x 2	3.8	0104502B2FG	0104502W2
	4.500	4-3C	6"	3	5/8 x 2	5.5	0104503B2FG	0104503W2FG
	4.500	4-4C	8"	4	5/8 x 2	7.7	0104504B2FG	0104504W2FG
4-1/4" TUBING	4.250	4-1/4-3C-OD	6"	3	5/8 x 2	5.5	0104253B2	0104253W2
	4.250	4-1/4-4C-OD	8"	4	5/8 x 2	7.0	0104254B2	0104254W2
4-1/2" TUBING	4.500	4-2C	4"	2	5/8 x 2	3.8	0104502B2FG	0104502W2
	4.500	4-3C	6"	3	5/8 x 2	5.5	0104503B2FG	0104503W2FG
	4.500	4-4C	8"	4	5/8 x 2	7.7	0104504B2FG	0104504W2FG
4-1/2" PIPE	5.000	4-1/2-2C	4"	2	5/8 x 2	4.2	0105002B2FG	0105002W2
	5.000	4-1/2-3C	6"	3	5/8 x 2	6.2	0105003B2FG	0105003W2FG
	5.000	4-1/2-4C	8"	4	5/8 x 2	8.1	0105004B2FG	0105004W2FG
4-3/4" TUBING	4.750	4-3/4-3C-OD	6"	3	5/8 x 2	6.5	0104753B2	0104753W2
	4.750	4-3/4-4C-OD	8"	4	5/8 x 2	8.6	0104754B2	0104754W2
5" TUBING	5.000	4-1/2-2C	4"	2	5/8 x 2	4.2	0105002B2FG	0105002W2
	5.000	4-1/2-3C	6"	3	5/8 x 2	6.2	0105003B2FG	0105003W2FG
	5.000	4-1/2-4C	8"	4	5/8 x 2	8.1	0105004B2FG	0105004W2FG
5" PIPE	5.563	5-2C	4"	2	5/8 x 2	4.6	0105562B2	0105562W2
	5.563	5-3C	6"	3	5/8 x 2	6.8	0105563B2FG	0105563W2
	5.563	5-4C	8"	4	5/8 x 2	8.8	0105564B2FG	0105564W2
5-1/4" TUBING	5.250	5-1/4-3C-OD	6"	3	5/8 x 2	6.6	0105253B2	0105253W2
5-1/2" TUBING	5.500	5-1/2-3C-OD	6"	3	5/8 x 2	6.8	0105503B2	0105503W2
	5.500	5-1/2-4C-OD	8"	4	5/8 x 2	9.0	0105504B2	0105504W2
5-3/4" TUBING	5.750	5-3/4-3C-OD	6"	3	5/8 x 2	7.8	0105753B2	0105753W2
	5.750	5-3/4-4C-OD	8"	4	5/8 x 2	9.2	0105754B2	0105754W2
6" TUBING	6.000	6-2C-OD	4"	2	5/8 x 2	4.7	0106002B2FG	0106002W2
	6.000	6-3C-OD	6"	3	5/8 x 2	7.0	0106003B2FG	0106003W2FG
	6.000	6-4C-OD	8"	4	5/8 x 2	9.4	0106004B2FG	0106004W2FG
6" PIPE	6.000	6-5C-OD	10"	5	5/8 x 2	11.8	0106005B2	0106005W2
	6.625	6-2C	4"	2	5/8 x 2	5.3	0106622B2	0106622W2
	6.625	6-3C	6"	3	5/8 x 2	7.8	0106623B2FG	0106623W2
	6.625	6-4C	8"	4	5/8 x 2	10.4	0106624B2FG	0106624W2
	6.625	6-5C	10"	5	5/8 x 2	14.3	0106625B2	0106625W2
6-1/4" TUBING	6.250	6-1/4-3C-OD	6"	3	5/8 x 2	7.3	0106253B2	0106253W2
	6.250	6-1/4-4C-OD	8"	4	5/8 x 2	10.0	0106254B2	0106254W2
6-1/2" TUBING	6.500	6-1/2-3C-OD	6"	3	5/8 x 2	7.5	0106503B2	0106503W2
	6.500	6-1/2-4C-OD	8"	4	5/8 x 2	10.4	0106504B2	0106504W2
6-3/4" TUBING	6.750	6-3/4-3C-OD	6"	3	5/8 x 2	7.7	0106753B2	0106753W2
	6.750	6-3/4-4C-OD	8"	4	5/8 x 2	10.8	0106754B2	0106754W2
7" TUBING	7.000	7-3C-OD	6"	3	5/8 x 2	7.9	0107003B2	0107003W2
	7.000	7-4C-OD	8"	4	5/8 x 2	10.8	0107004B2	0107004W2
	7.000	7-5C-OD	10"	5	5/8 x 2	13.7	0107005B2	0107005W2
7-1/4" TUBING	7.250	7-1/4-3C-OD	6"	3	5/8 x 2	8.3	0107253B2	0107253W2
7-1/2" TUBING	7.500	7-1/2-3C-OD	6"	3	5/8 x 2	8.5	0107503B2	0107503W2
	7.500	7-1/2-4C-OD	8"	4	5/8 x 2	11.3	0107504B2	0107504W2
7-3/4" TUBING	7.750	7-3/4-3C-OD	6"	3	5/8 x 2	8.9	0107753B2	0107753W2
8" TUBING	8.000	8-2C-OD	6"	2	3/4 x 3	11.0	0108002B2FG	0108002W2
	8.000	8-3C-OD	8"	3	3/4 x 3	14.3	0108003B2FG	0108003W2
	8.000	8-4C-OD	10"	4	3/4 x 3	18.0	0108004B2FG	0108004W2
	8.000	8-5C-OD	12"	5	3/4 x 3	22.0	0108005B2	0108005W2
	8.625	8-2C	6"	2	3/4 x 3	11.5	0108622B2	0108622W2
8" PIPE	8.625	8-3C	8"	3	3/4 x 3	14.6	0108623B2	0108623W2
	8.625	8-4C	10"	4	3/4 x 3	18.8	0108624B2FG	0108624W2
	8.625	8-5C	12"	5	3/4 x 3	23.0	0108625B2	0108625W2
	9.000	9-3C-OD	8"	3	3/4 x 3	15.9	0109003B2	0109003W2
9.000	9-4C-OD	10"	4	3/4 x 3	19.9	0109004B2	0109004W2	

\* WHEN ORDERING, always give the Code No. and O.D. of the pipe or tube on which coupling will be used.

\*Neoprene

(1) Stainless steel grounding strips are standard on all couplings. Aluminum grounding strips or couplings without grounding strips available at same price.

# Compression Couplings For Tubing And Pipe *continued*

Tubing or Nom. Pipe (IPS) Size	O.D. Tubing Pipe (A)	Morris Coupling Code	Coupling Length (B)	No. of Bolts	Size of Bolts	Weight Each (lbs.)	BLACK Gasket*	WHITE Gasket*
							PIC No.	PIC No.
10" Tubing	10.000	10-3C-OD	8"	3	3/4 x 3	17.5	0110003B2	0110003W2
	10.000	10-4C-OD	10"	4	3/4 x 3	21.8	0110004B2FG	0110004W2
	10.000	10-5C-OD	12"	5	3/4 x 3	26.1	0110005B2	0110005W2
10" Pipe	10.750	10-3C	8"	3	3/4 x 3	16.4	0110753B2	0110753W2
	10.750	10-4C	10"	4	3/4 x 3	20.3	0110754B2	0110754W2
	10.750	10-5C	12"	5	3/4 x 3	25.2	0110755B2	0110755W2
12" Tubing	12.000	12-3C-OD	8"	3	3/4 x 3	20.4	0112003B2	0112003W2
	12.000	12-4C-OD	10"	4	3/4 x 3	25.5	0112004B2	0112004W2
	12.000	12-5C-OD	12"	5	3/4 x 3	30.2	0112005B2	0112005W2
12" Pipe	12.750	12-3C	8"	3	3/4 x 3	18.7	0112753B2	0112753W2
	12.750	12-4C	10"	4	3/4 x 3	23.3	0112754B2	0112754W2
	12.750	12-5C	12"	5	3/4 x 3	28.1	0112755B2	0112755W2
13" Tubing	13.000	13-3C-OD	8"	3	3/4 x 3	21.8	0113003B2	0113003W2
	13.000	13-4C-OD	10"	4	3/4 x 3	26.8	0113004B2	0113004W2
	13.000	13-5C-OD	12"	5	3/4 x 3	32.6	0113005B2	0113005W2
14**	14.000	14-3C-OD	8"	3	3/4 x 3	22.9	0114003B2	0114003W2
	14.000	14-4C-OD	10"	4	3/4 x 3	27.6	0114004B2	0114004W2
	14.000	14-5C-OD	12"	5	3/4 x 3	34.2	0114005B2	0114005W2
	14.000	14-6C-OD	16"	6	3/4 x 3	45	0114006B2	0114006W2
15**	15.000	15-3C-OD	8"	3	3/4 x 3	24	0115003B2	0115003W2
	15.000	15-4C-OD	10"	4	3/4 x 3	29.6	0115004B2	0115004W2
	15.000	15-5C-OD	12"	5	3/4 x 3	35.9	0115005B2	0115005W2
	15.000	15-6C-OD	16"	6	3/4 x 3	48	0115006B2	0115006W2
16**	16.000	16-3C-OD	8"	3	3/4 x 3	25.3	0116003B2	0116003W2
	16.000	16-4C-OD	10"	4	3/4 x 3	31.1	0116004B2	0116004W2
	16.000	16-5C-OD	12"	5	3/4 x 3	37.8	0116005B2	0116005W2
	16.000	16-6C-OD	16"	6	3/4 x 3	49.5	0116006B2	0116006W2
18**	18.000	18-4C-OD	10"	4	3/4 x 3	34.7	0118004B2	0118004W2
	18.000	18-5C-OD	12"	5	3/4 x 3	41.9	0118005B2	0118005W2
	18.000	18-6C-OD	16"	6	3/4 x 3	54.9	0118006B2	0118006W2
20**	20.000	20-5C-OD	12"	5	3/4 x 3	45.6	0120005B2	0120005W2
	20.000	20-6C-OD	16"	6	3/4 x 3	59.5	0120006B2	0120006W2
22**	22.000	22-5C-OD	12"	5	3/4 x 3	48.9	0122005B2	0122005W2
	22.000	22-6C-OD	16"	6	3/4 x 3	64.4	0122006B2	0122006W2
24**	24.000	24-5C-OD	12"	5	3/4 x 3	52.1	0124005B2	0124005W2
	24.000	24-6C-OD	16"	6	3/4 x 3	68.6	0124006B2	0124006W2

- WHEN ORDERING, always give the Code No. and O.D. of the pipe or tube on which coupling will be used.
- Overall height of coupling, including flange, is coupling O.D. plus 2-3/4".
- \*\*Tubing and pipe have same O.D.      \*Neoprene

(1) Stainless steel grounding strips are standard on all couplings. Aluminum grounding strips or couplings without grounding strips available at same price.

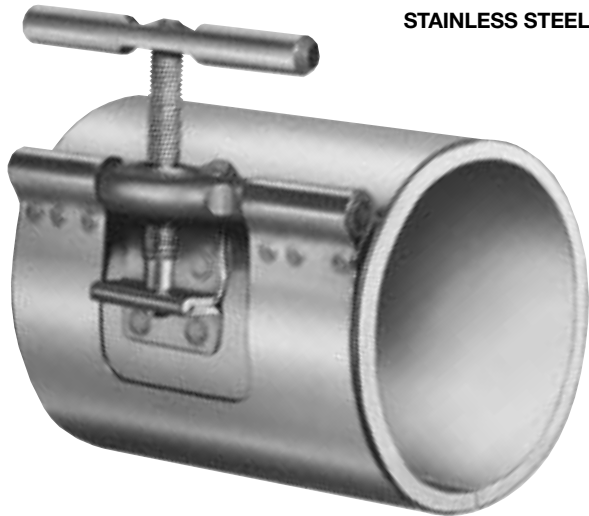
## For Prices and Delivery

Call Toll Free: 1-800-426-1579  
 Toll-Free Fax: 1-800-545-1399  
 E-mail: sales@morriscoupling.com  
 internet: www.morriscoupling.com

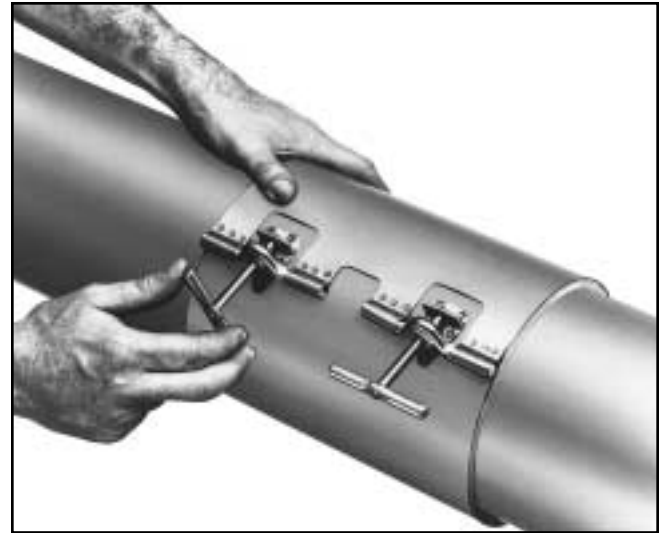


2240 W. 15th St., Erie, PA 16505  
 Phone: 814-459-1741

# Quickon II Couplers



STAINLESS STEEL



## FOR PNEUMATIC OR VACUUM CONVEYING SYSTEMS

Morris Quickon II Couplers can be installed or removed with a twist of the wrist. No tools or special skills needed. The positive-locking system turns easily to seal or to compensate for normal O.D. pipe or tubing tolerances.

This in-line Coupler is ideal for use where fast takedown and reassembly of lines is essential; reduced coupler weight is desirable; a line or system is frequently modified or wrap-around installation is necessary.

### QUICKON II COUPLER

O.D. Size (in.)	Code No.	Wt. (lbs.)	Food-Grade Gum Gasket	
			PIC No.	
1.500	1501	.58	2401501G2	
1.660	1661	.60	2401661G2	
1.750	1751	.62	2401751G2	
1.900	1901	.65	2401901G2	
2.000	2001	.68	2402001G2FG	
2.125	2121	.70	2402121G2	
2.250	2251	.71	2402251G2	
2.375	2371	.74	2402371G2	
2.500	2501	.77	2402501G2FG	
2.750	2751	.80	2402751G2	
2.875	2871	.84	2402871G2	
3.000	3001	.88	2403001G2FG	
3.250	3251	.97	2403251G2	
3.500	3501	1.06	2403501G2FG	
3.750	3751	1.15	2403751G2	
4.000	4001	1.25	2404001G2FG	
4.250	4251	1.32	2404251G2	
4.500	4501	1.40	2404501G2FG	
5.000	5001	1.55	2405001G2FG	
5.563	5561	1.63	2405561G2	
6.000	6001	1.72	2406001G2FG	
6.250	6251	1.78	2406251G2	
6.625	6621	1.82	2406621G2	
8.000	8001	2.25	2408001G2FG	
8.625	8621	2.38	2408621G2	
9.000	9001	2.45	2409001G2	
10.000	10001	2.65	2410001G2	

STANDARD QUICKON II COUPLERS LISTED ARE 4" IN LENGTH.

### DUAL QUICKON II COUPLER

O.D. Size (in.)	Code No.	Food-Grade Gum Gasket	
		PIC No.	
4.000	2-4001	2804002G2	
4.500	2-4501	2804502G2	
5.000	2-5001	2805002G2	
6.000	2-6001	2806002G2	
6.625	2-6621	2806622G2	
8.000	2-8001	2808002G2	
8.625	2-8621	2808622G2	
10.000	2-10001	2810002G2	
10.750	2-10751	2810752G2	
12.000	2-12001	2812002G2	
12.750	2-12751	2812752G2	

DUAL QUICKON II COUPLERS LISTED ARE 9-1/2" IN LENGTH.

#### Specifications

All stainless-steel construction including band, strike plate, handle screw and yoke. Gasket is abrasion-resistant, gum rubber attached to band. Static-conducting grounding strip included on request.

Order by O.D. Size, Code No., and Gasket.

#### For Prices and Delivery

Call Toll Free: 1-800-426-1579

Toll-Free Fax: 1-800-545-1399

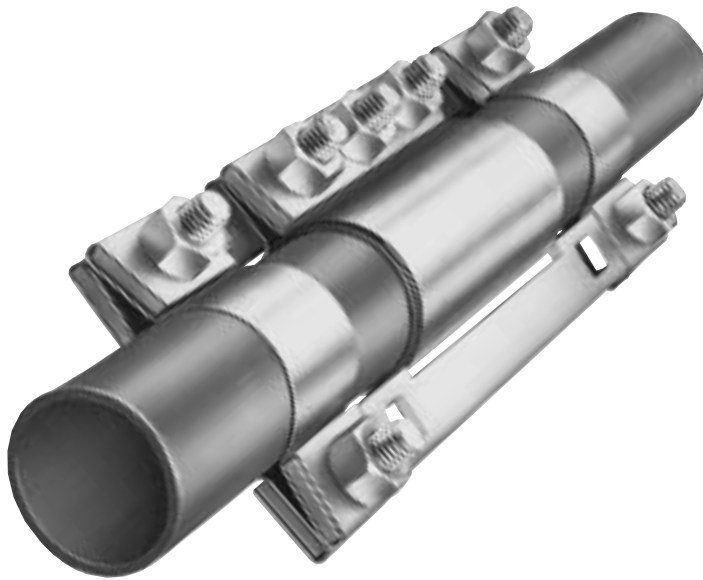
E-mail: sales@morriscoupling.com

internet: www.morriscoupling.com



2240 W. 15th St., Erie, PA 16505  
Phone: 814-459-1741

# Side-Band Compression Couplings



Unique design of Morris Side-Band Compression Couplings gives you vastly improved axial-force holding power to connect or repair threaded or unthreaded pipe and tubing.

Dual-locking side bands grip the pipes and allow higher operating pressures than those normally suggested for standard Morris compression couplings. Especially effective where line vibration is a problem, and on plastic pipe.

You get all the positive sealing advantages of the Morris compression coupling in a coupling that can hold its own in fighting end pull.

Available for 1-1/2" through 24" nominal pipe or tubing sizes – including millimeter sizes. Static grounding strips or stainless-steel gasket protectors also available.

O.D. of Tubing or Pipe (in.)	Morris Coupling Code No.	Wt. Each (lb.)	BLACK Gasket*	WHITE Gasket*
			PIC No.	PIC No.
2.000	2-3C-OD-SB	7.3	3102003B0	3102003W0
2.375	2-3C-SB	7.7	3102373B0	3102373W0
2.500	2-1/2-3C-OD-SB	8.1	3102503B0	3102503W0
2.875	2-1/2-3C-SB	8.7	3102873B0	3102873W0
3.000	3-3C-OD-SB	9.2	3103003B0	3103003W0
	3-4C-OD-SB	10.1	3103004B0	3103004W0
3.500	3-3C-SB	9.8	3103503B0	3103503W0
	3-4C-SB	10.7	3103504B0	3103504W0
4.000	3-1/2-3C-SB	10.3	3104003B0	3104003W0
	3-1/2-4C-SB	12.9	3104004B0	3104004W0
4.500	4-3C-SB	10.7	3104503B0	3104503W0
	4-4C-SB	13.4	3104504B0	3104504W0
5.000	4-1/2-3C-SB	11.4	3105003B0	3105003W0
	4-1/2-4C-SB	14.1	3105004B0	3105004W0
5.563	5-3C-SB	12.3	3105563B0	3105563W0
	5-4C-SB	15.0	3105564B0	3105564W0

O.D. of Tubing or Pipe (in.)	Morris Coupling Code No.	Wt. Each (lb.)	BLACK Gasket*	WHITE Gasket*
			PIC No.	PIC No.
6.000	6-3C-OD-SB	12.5	3106003B0	3106003W0
	6-4C-OD-SB	15.6	3106004B0	3106004W0
6.625	6-3C-SB	13.5	3106623B0	3106623W0
	6-4C-SB	16.9	3106624B0	3106624W0
8.000	8-3C-OD-SB	24.8	3108003B0	3108003W0
	8-4C-OD-SB	28.5	3108004B0	3108004W0
8.625	8-3C-SB	25.6	3108623B0	3108623W0
	8-4C-SB	29.8	3108624B0	3108624W0
10.000	10-3C-OD-SB	29.2	3110003B0	3110003W0
	10-4C-OD-SB	33.5	3110004B0	3110004W0
10.750	10-3C-SB	28.1	3110753B0	3110753W0
	10-4C-SB	32.0	3110754B0	3110754W0
12.000	12-3C-OD-SB	32.1	3112003B0	3112003W0
	12-4C-OD-SB	37.0	3112004B0	3112004W0
12.750	12-3C-SB	32.7	3112753B0	3112753W0
	12-4C-SB	37.9	3112754B0	3112754W0

(1) Stainless steel or aluminum grounding strips are available at same price.

\*Neoprene

- WHEN ORDERING, always give the Code No. and O.D. of the pipe or tube on which coupling will be used.
- Contact factory for prices of couplings with Teflon gasket protectors.

**Note: For Side-Band coupling length, add 8 inches to basic coupling length.**

## For Prices and Delivery

Call Toll Free: 1-800-426-1579

Toll-Free Fax: 1-800-545-1399

E-mail: sales@morriscoupling.com

internet: www.morriscoupling.com



2240 W. 15th St., Erie, PA 16505  
Phone: 814-459-1741

# Morris Couplers and Adapters – Domestic

## Part A Male Adapters – Female Thread

Item Code	Size
5AXX	1/2"
7AXX	3/4"
10AXX	1"
12AXX	1-1/4"
15AXX	1-1/2"
20AXX	2"
25AXX	2-1/2"
30AXX	3"
40AXX	4"
50AXX	5"
60AXX	6"



*BSP and BST threads available on request.*

**Available in 8" and 10" sizes. Please call for more information.**

## Part D Female Couplers – Female Thread

Item Code	Size
5DXX	1/2"
7DXX	3/4"
10DXX	1"
12DXX	1-1/4"
15DXX	1-1/2"
20DXX	2"
25DXX	2-1/2"
30DXX	3"
40DXX	4"
50DXX	5"
60DXX	6"



*BSP and BST threads available on request.*

*Aluminum couplers are standard with stainless-steel handles. Brass handles available on request.*

**Available in 8" and 10" sizes. Please call for more information.**

## Part B Female Couplers – Male Thread

Item Code	Size
5BXX	1/2"
7BXX	3/4"
10BXX	1"
12BXX	1-1/4"
15BXX	1-1/2"
20BXX	2"
25BXX	2-1/2"
30BXX	3"
40BXX	4"
50BXX	5"
60BXX	6"



*BSP and BST threads available on request.*

*Aluminum couplers are standard with stainless-steel handles. Brass handles available on request.*

**Available in 8" and 10" sizes. Please call for more information.**

## Part E Male Adapters – Hose Shank

Item Code	Size
5EXX	1/2"
7EXX	3/4"
10EXX	1"
12EXX	1-1/4"
15EXX	1-1/2"
20EXX	2"
25EXX	2-1/2"
†30EXX	3"
†40EXX	4"
50EXX	5"
60EXX	6"

† 3" and 4" aluminum have machined shanks.



**Available in 8" and 10" sizes. Please call for more information.**

## Part C Female Couplers – Hose Shank

Item Code	Size
5CXX	1/2"
7CXX	3/4"
10CXX	1"
12CXX	1-1/4"
15CXX	1-1/2"
20CXX	2"
25CXX	2-1/2"
†30CXX	3"
†40CXX	4"
50CXX	5"
60CXX	6"

† 3" and 4" aluminum have machined shanks.



*Aluminum couplers are standard with stainless-steel handles. Brass handles available on request.*

**Available in 8" and 10" sizes. Please call for more information.**

## Part F Male Adapters – Male Thread

Item Code	Size
5FXX	1/2"
7FXX	3/4"
10FXX	1"
12FXX	1-1/4"
15FXX	1-1/2"
20FXX	2"
25FXX	2-1/2"
30FXX	3"
40FXX	4"
50FXX	5"
60FXX	6"



*BSP and BST threads available on request.*

**Available in 8" and 10" sizes. Please call for more information.**

**METAL SELECTION:** XX indicates that a metal selection must be designated when ordering: **CB** = Cast Brass; **AL** = Aluminum; **SS** = 316 Stainless Steel; **DI** = Ductile Iron; **PP** = Polypropylene; **BR** = Forged Brass; **HA** = Hardcoat Aluminum. Also available in Monel, Hastalloy C and Carpenter 20®.

Note: 1/2-, 8-, and 10-inch parts are not interchangeable with other cam and groove couplings.

### For Prices and Delivery

Call Toll Free: 1-800-426-1579  
Toll-Free Fax: 1-800-545-1399  
E-mail: sales@morriscoupling.com  
internet: www.morriscoupling.com



2240 W. 15th St., Erie, PA 16505  
Phone: 814-459-1741

# Morris Couplers and Adapters – Domestic

## Dust Plug For Use With Couplers



Item Code	Size
5DPXX	1/2"
7DPXX	3/4"
10DPXX	1"
12DPXX	1-1/4"
15DPXX	1-1/2"
20DPXX	2"
25DPXX	2-1/2"
30DPXX	3"
40DPXX	4"
50DPXX	5"
60DPXX	6"

*Not to be used in pressure applications.*

Available in 8" and 10" sizes.  
Please call for more information.

## Dust Cap For Use With Adapters



Item Code	Size
5DCXX	1/2"
7DCXX	3/4"
10DCXX	1"
12DCXX	1-1/4"
15DCXX	1-1/2"
20DCXX	2"
25DCXX	2-1/2"
30DCXX	3"
40DCXX	4"
50DCXX	5"
60DCXX	6"

*Not to be used in pressure applications.*

Aluminum couplers are standard with stainless-steel handles. Brass handles available on request.

Available in 8" and 10" sizes.  
Please call for more information.

**METAL SELECTION:** XX indicates that a metal selection must be designated when ordering: **CB** = Cast Brass; **AL** = Aluminum; **SS** = 316 Stainless Steel; **DI** = Ductile Iron; **PP** = Polypropylene; **BR** = Forged Brass; **HA** = Hardcoat Aluminum. Also available in Monel, Hastalloy C and Carpenter 20®.

Note: 1/2-, 8-, and 10-inch parts are not interchangeable with other cam and groove couplings.

## Couplings For Butt (BW) or Socket (SW) Weld

Specify tube size or pipe schedule.

### Adapters

Butt Weld	Socket Weld	Size
10ABWXX	10ASWXX	1"
15ABWXX	15ASWXX	1-1/2"
20ABWXX	20ASWXX	2"
25ABWXX	25ASWXX	2-1/2"
30ABWXX	30ASWXX	3"
40ABWXX	40ASWXX	4"
50ABWXX	50ASWXX	5"
60ABWXX	60ASWXX	6"



Socket weld illustrated.

Available in 8" and 10" sizes.  
Please call for more information.

### Couplers

Butt Weld	Socket Weld	Size
10DBWXX	10DSWXX	1"
15DBWXX	15DSWXX	1-1/2"
20DBWXX	20DSWXX	2"
25DBWXX	25DSWXX	2-1/2"
30DBWXX	30DSWXX	3"
40DBWXX	40DSWXX	4"
50DBWXX	50DSWXX	5"
60DBWXX	60DSWXX	6"



Socket weld illustrated.

Available in 8" and 10" sizes.  
Please call for more information.

**METAL SELECTION:** XX indicates that a metal selection must be designated when ordering: **BR** = Forged Brass; **AL** = Aluminum; **SS** = 316 Stainless Steel.

### For Prices and Delivery

Call Toll Free: 1-800-426-1579

Toll-Free Fax: 1-800-545-1399

E-mail: sales@morriscoupling.com

internet: www.morriscoupling.com

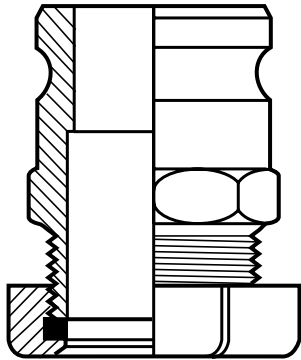


2240 W. 15th St., Erie, PA 16505  
Phone: 814-459-1741

# Morris Quick-Change Compression Nut Assemblies

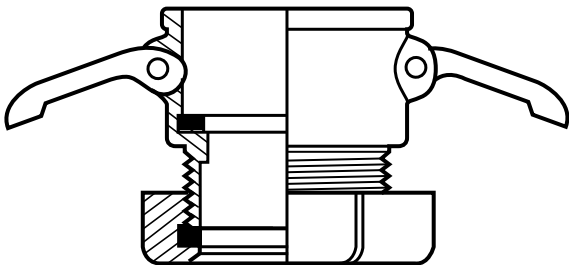
The Morris Quick-Change Couplers, Part B and Adapters, Part F with easy-grip Compression Nut require no welding or epoxy to assemble your pneumatic conveying systems.

All Morris Couplers and Adapters with Compression Nuts are made of aluminum. They are designed for low pressure conveying systems and field installation, for use with .065 tubing size from 1-1/2 inches to 3 inches.



**Adapter with Compression Nut**

Part No.	Size In Inches
15-FCNAL	1-1/2"
20-FCNAL	2"
25-FCNAL	2-1/2"
30-FCNAL	3"

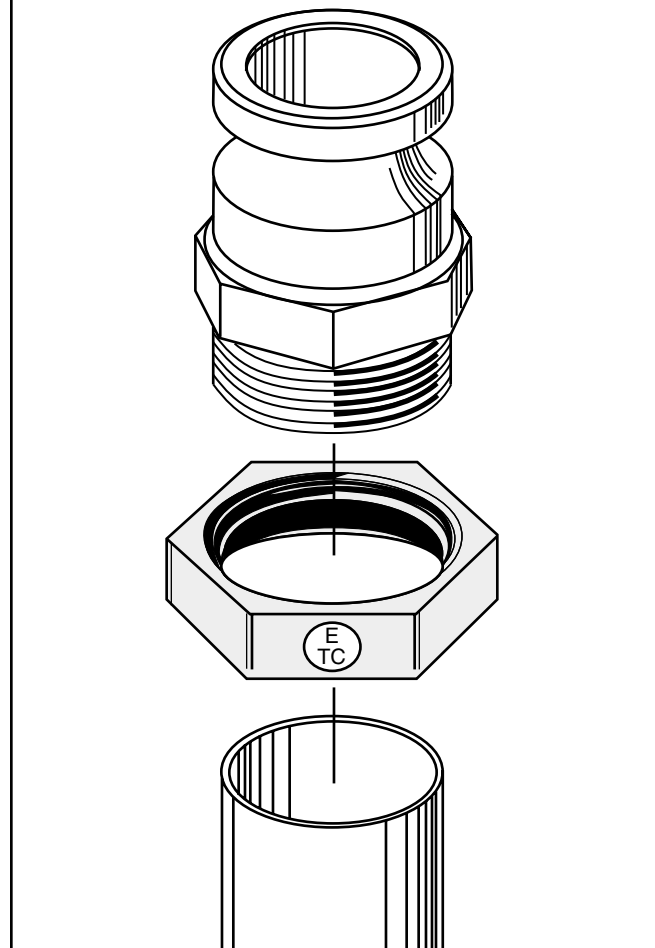


**Coupler with Compression Nut**

Part No.	Size In Inches
15-BCNAL	1-1/2"
20-BCNAL	2"
25-BCNAL	2-1/2"
30-BCNAL	3"

Morris Coupling Company also offers a complete line of Ever-Tite Coupling Products. To satisfy your requirements for Compression Nut Assemblies or other cam and groove couplings, call us at 1-800-426-1579. Stocks are extensive and delivery is prompt.

**Exploded View With Adapter – Typical Assembly**



**Compression Nut Replacement Parts**

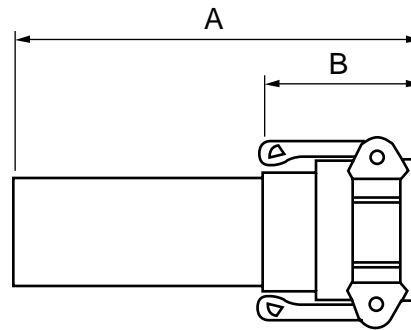
Part No.	Size In Inches
15-CNUT	1-1/2"
20-CNUT	2"
25-CNUT	2-1/2"
30-CNUT	3"
15-GSKCNUT	1-1/2"
20-GSKCNUT	2"
25-GSKCNUT	2-1/2"
30-GSKCNUT	3"



# Morris Quickie Line Adapters

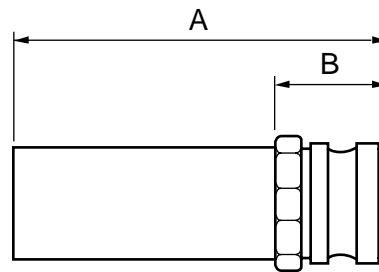
## Female Adapter

Part Number	A	B
20QAL-F16	10-1/2"	3-1/8"
25QAL-F16	10-27/64"	3-1/2"
30QAL-F11	10-7/8"	3-9/16"
30QAL-F16	10-7/8"	3-9/16"
40QAL-F16	10-9/16"	4"
40QAL-F14	10-9/16"	4"



## Male Adapter

Part Number	A	B
20QAL-M16	10-7/8"	3-3/8"
25QAL-M16	10-13/16"	3-13/16"
30QAL-M14	11-3/16"	3-15/16"
30QAL-M16	11-3/16"	3-15/16"
40QAL-M11	11-3/4"	4-1/2"
40QAL-M16	11-3/4"	4-1/2"
60QAL-M11	12"	4-3/4"



### For Prices and Delivery

Call Toll Free: 1-800-426-1579

Toll-Free Fax: 1-800-545-1399

E-mail: [sales@morriscoupling.com](mailto:sales@morriscoupling.com)

internet: [www.morriscoupling.com](http://www.morriscoupling.com)

All dimensions are nominal.



2240 W. 15th St., Erie, PA 16505  
Phone: 814-459-1741